



## COCKTAIL

Francesc Vilaró

Table lamp COCKTAIL LED 3.5 LED warm-white 2700K TOUCH DIMMING Olive grey 154lm

### Technical features

Luminaire total power: 3.5W

Real lumens: 154

Real lm/W: 44

Correlated Colour Temperature (CCT): LED warm-white 2700K

Lens / reflector angle: HORIZONTAL 150°

Structure material: Aluminium

Structure finish: Olive grey

Diffuser material: Polycarbonate

Diffuser finish: Satin

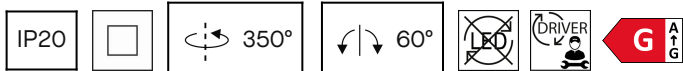
Voltage / frequency: 100-240V/50-60Hz

Dimming protocol: TOUCH DIMMING

Power Factor: 0.90

Useful life: 50,000h L80B20

Warranty: 5 años



### Luminotechnic features

CRI: 90

MacAdam steps: 3

Photobiological risk: RG0

UGR crosswise: 23.9

UGR lengthwise: 23.9

| Lampholder | Quantity | Light source power (W) |
|------------|----------|------------------------|
| LED        | 1        | 3W                     |

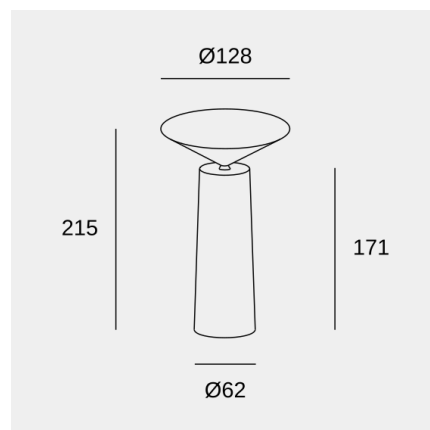


Image may not match reference. LedsC4 reserves the right to amend any of the product's components. The data related to flux, power and colour temperature may be subject to changes made by the manufacturer.



## COCKTAIL

Francesc Vilaró

Table lamp COCKTAIL LED 3.5 LED warm-white 2700K TOUCH DIMMING Olive grey 154lm

### Emergency module features

Battery type: Lithium ion

### Logistics



x 6

Net weight (kg): 0.75

Packaged weight (kg): 1.38

Packaging: 160mm x 160mm x 280mm

### Light application



Image may not match reference. LedsC4 reserves the right to amend any of the product's components. The data related to flux, power and colour temperature may be subject to changes made by the manufacturer.



## COCKTAIL

Francesc Vilaró

Table lamp COCKTAIL LED 3.5 LED warm-white 2700K TOUCH DIMMING Olive grey 154lm

### Accessories included



Charger

### Optional accessories



71-8332-05-00

Accessorie Cocktail Charger Black

Structure material: Polycarbonate + ABS

Dimensions: 66 x 110 x 22

Net weight (kg): 0.52

Image may not match reference. LedsC4 reserves the right to amend any of the product's components. The data related to flux, power and colour temperature may be subject to changes made by the manufacturer.