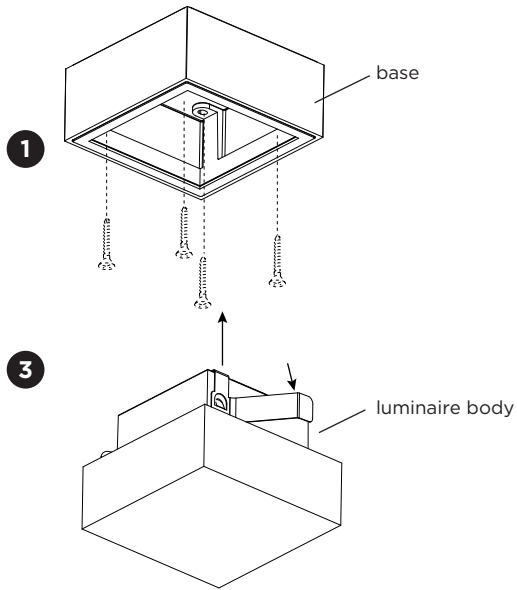
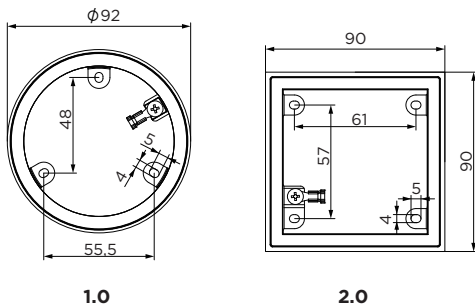


MIRBI IP44 ceiling surface

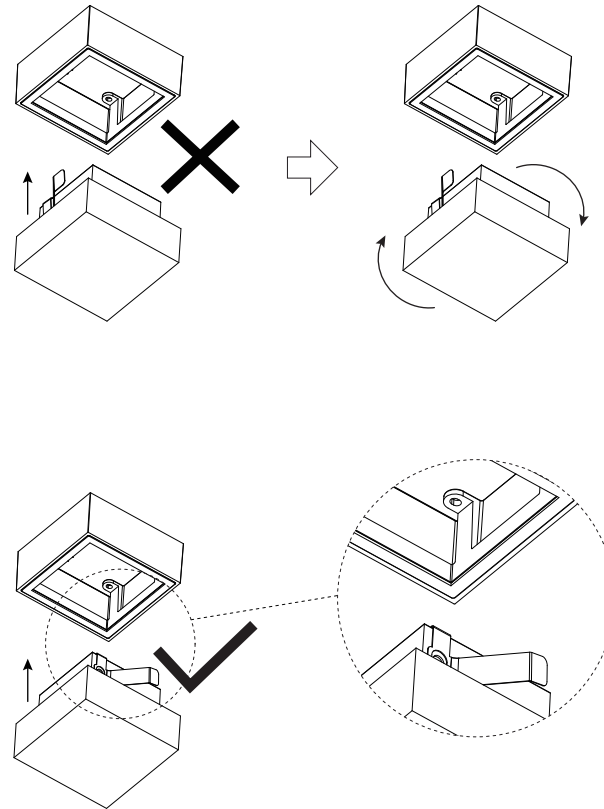
INSTALLATION INSTRUCTIONS | APRIL 2023



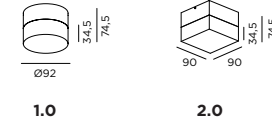
Base dimensions:



Please pay attention to the matching direction between the luminaire body and the base!



DIMENSIONS

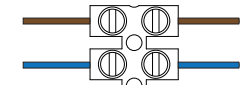


MOUNTING INSTRUCTION

1 Mount the base on the ceiling with screws (screws are not included).

2 **POWER CONNECTION**
Connect to 220-240V.

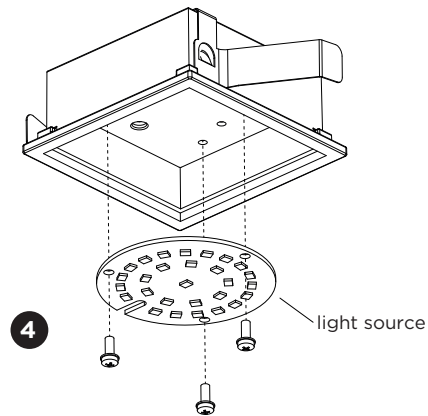
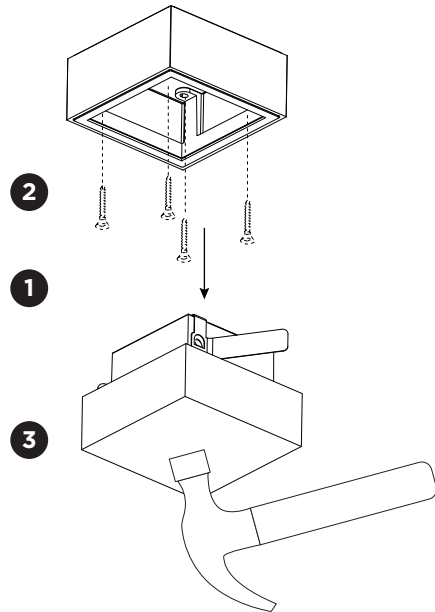
Connect the earth cable.



3 Insert the luminaire body in the base by pushing the blade springs towards the luminaire body.

MIRBI IP44 ceiling surface

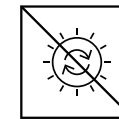
INSTALLATION INSTRUCTIONS | APRIL 2023



DISMOUNTING AND RECYCLING INSTRUCTIONS

Light source

- 1 Pull down the fixture from the ceiling base and loosen the wires.
- 2 Unscrew the ceiling base.
- 3 Break the glass.
- 4 Unscrew the light source to remove it.



The light source is not replaceable.



This luminaire contains a light source with the energy class F.



WEVER & DUCRÉ
LIGHTING

WEVER & DUCRÉ BV
Spinnerijstraat 99/21, 8500 Kortrijk, Belgium
weverducre.com