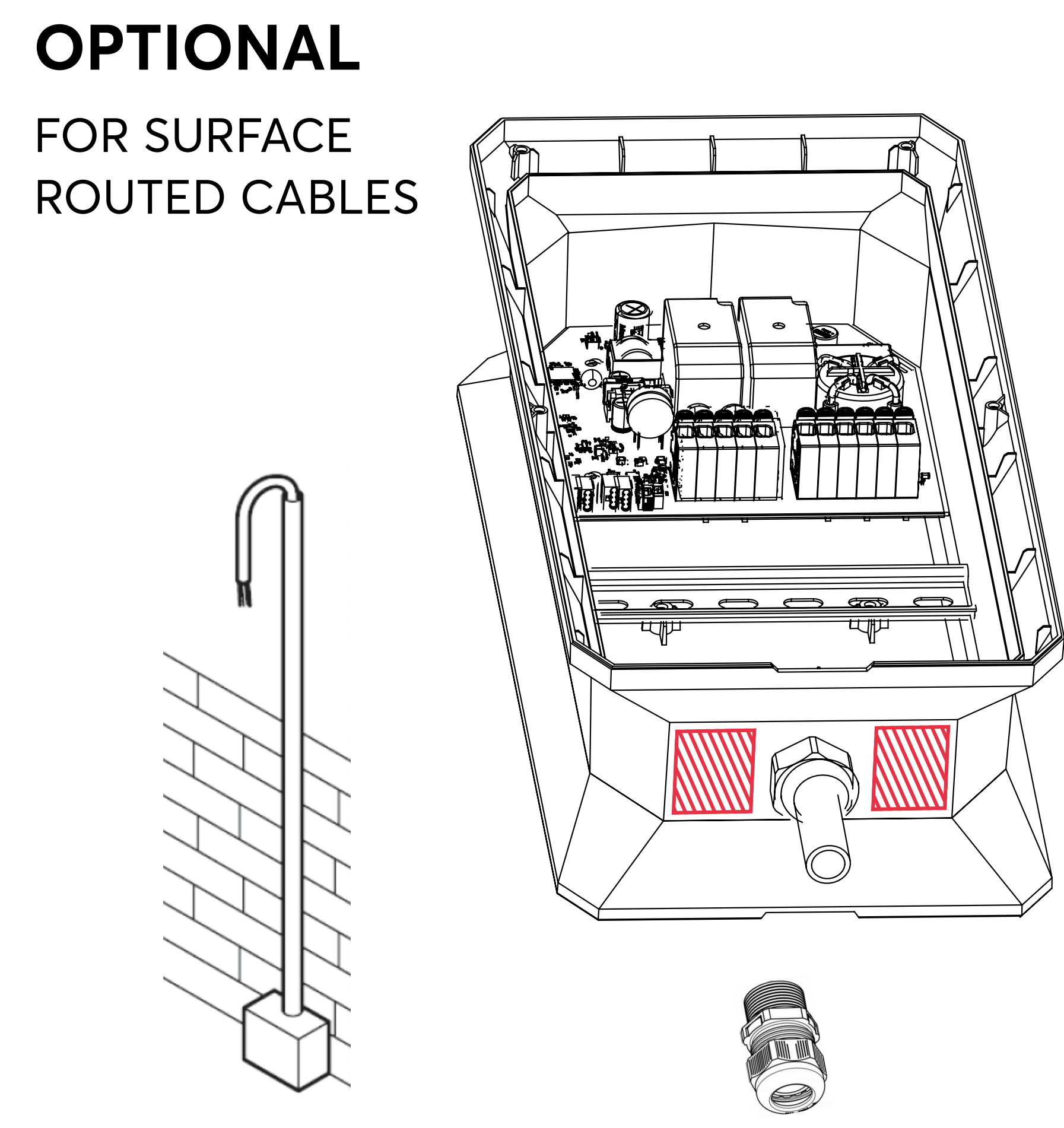
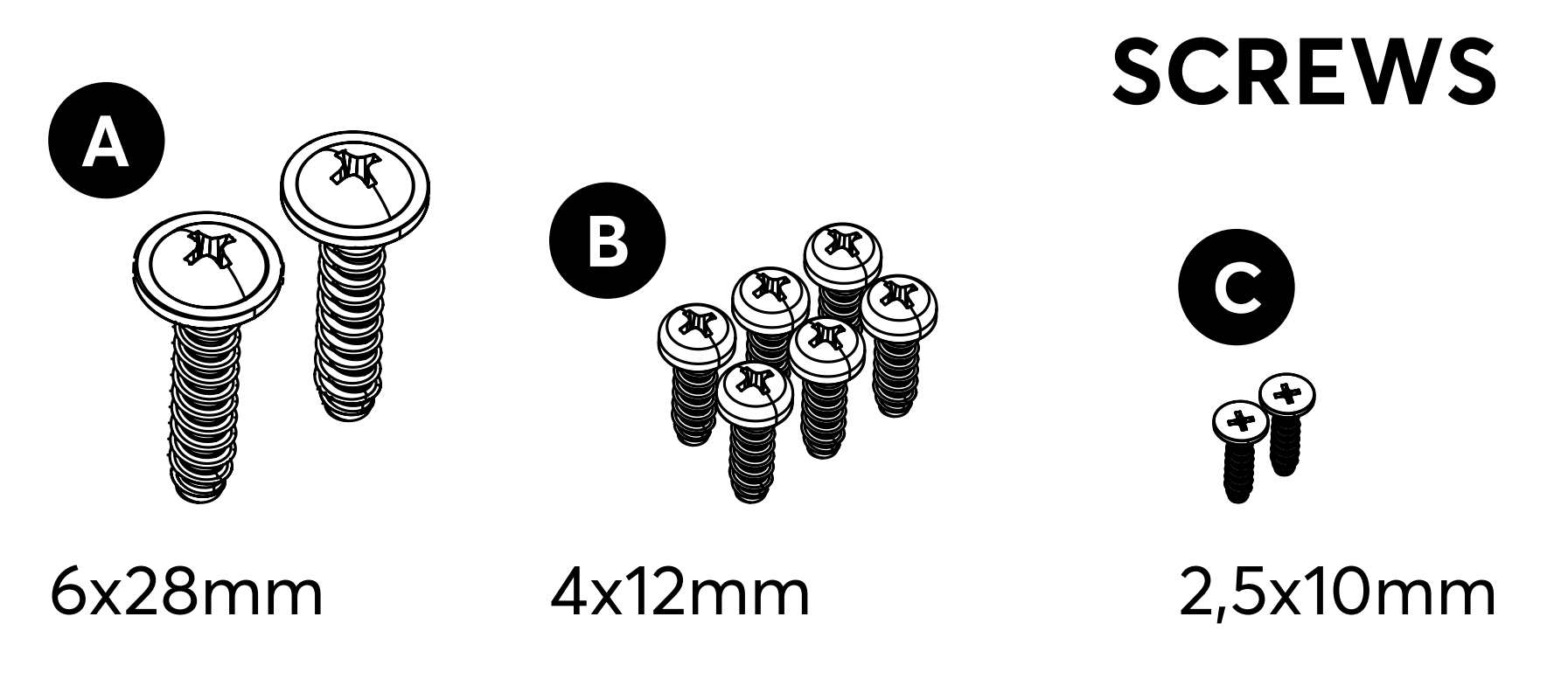
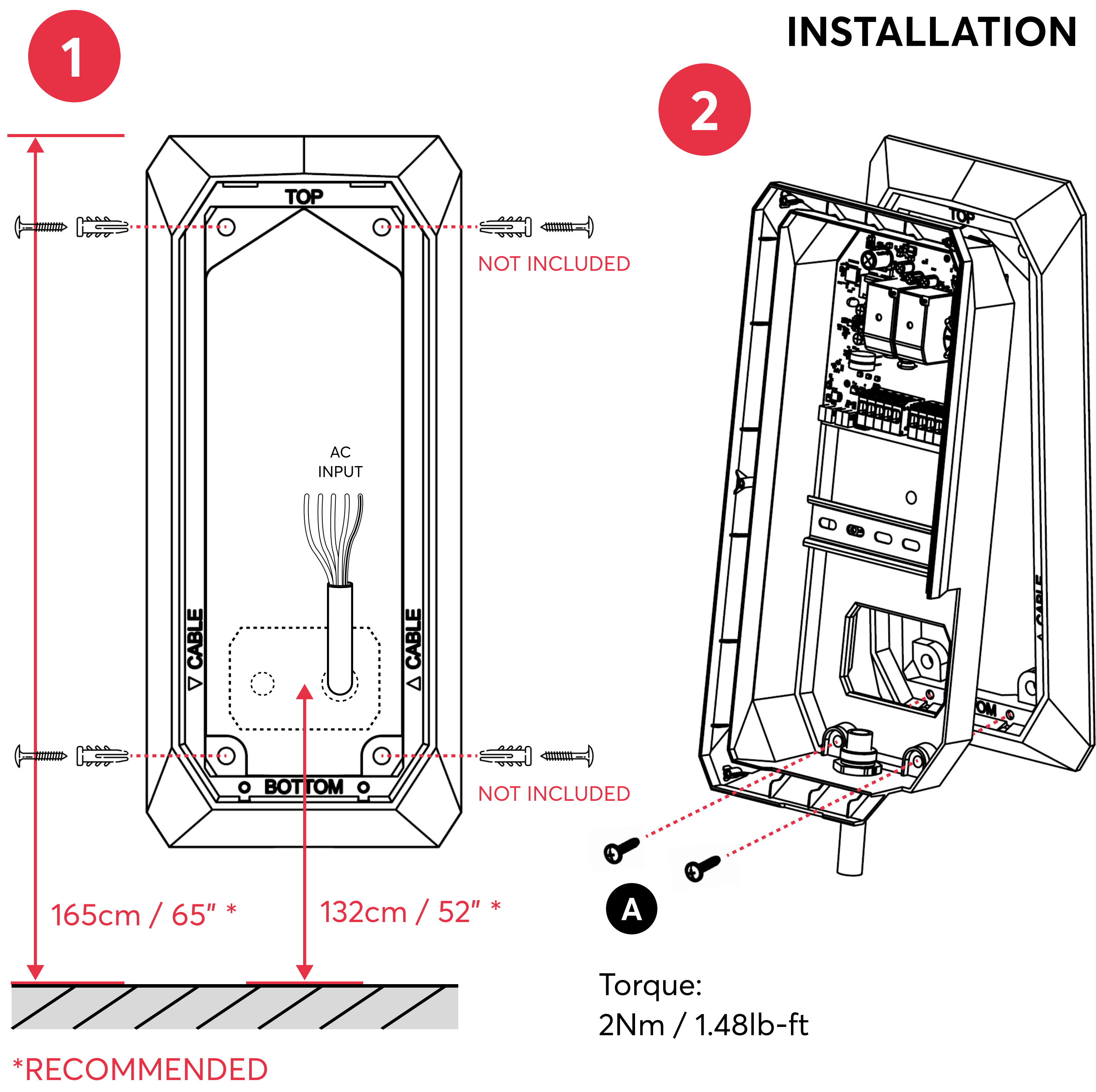
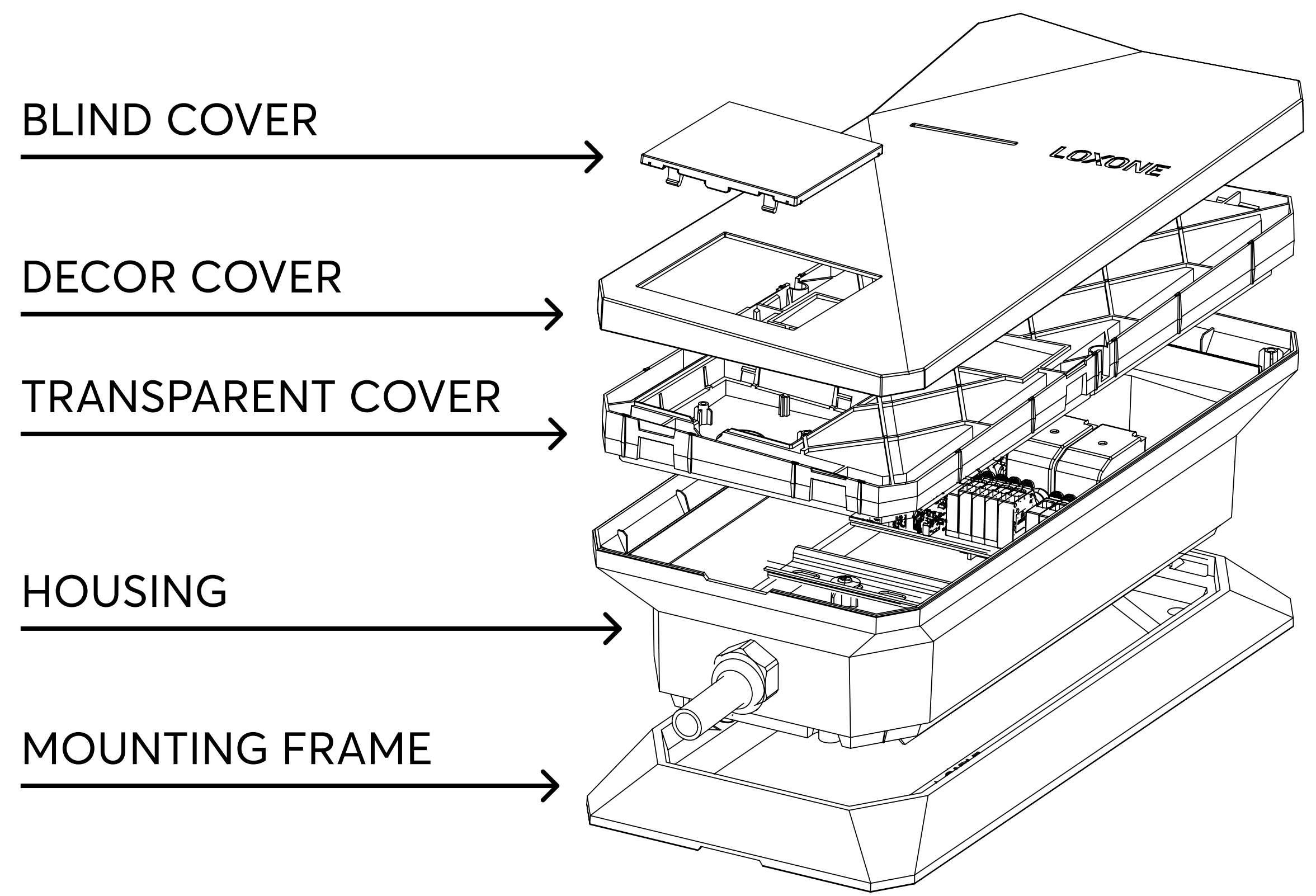


## INSTALLATION INSTRUCTIONS

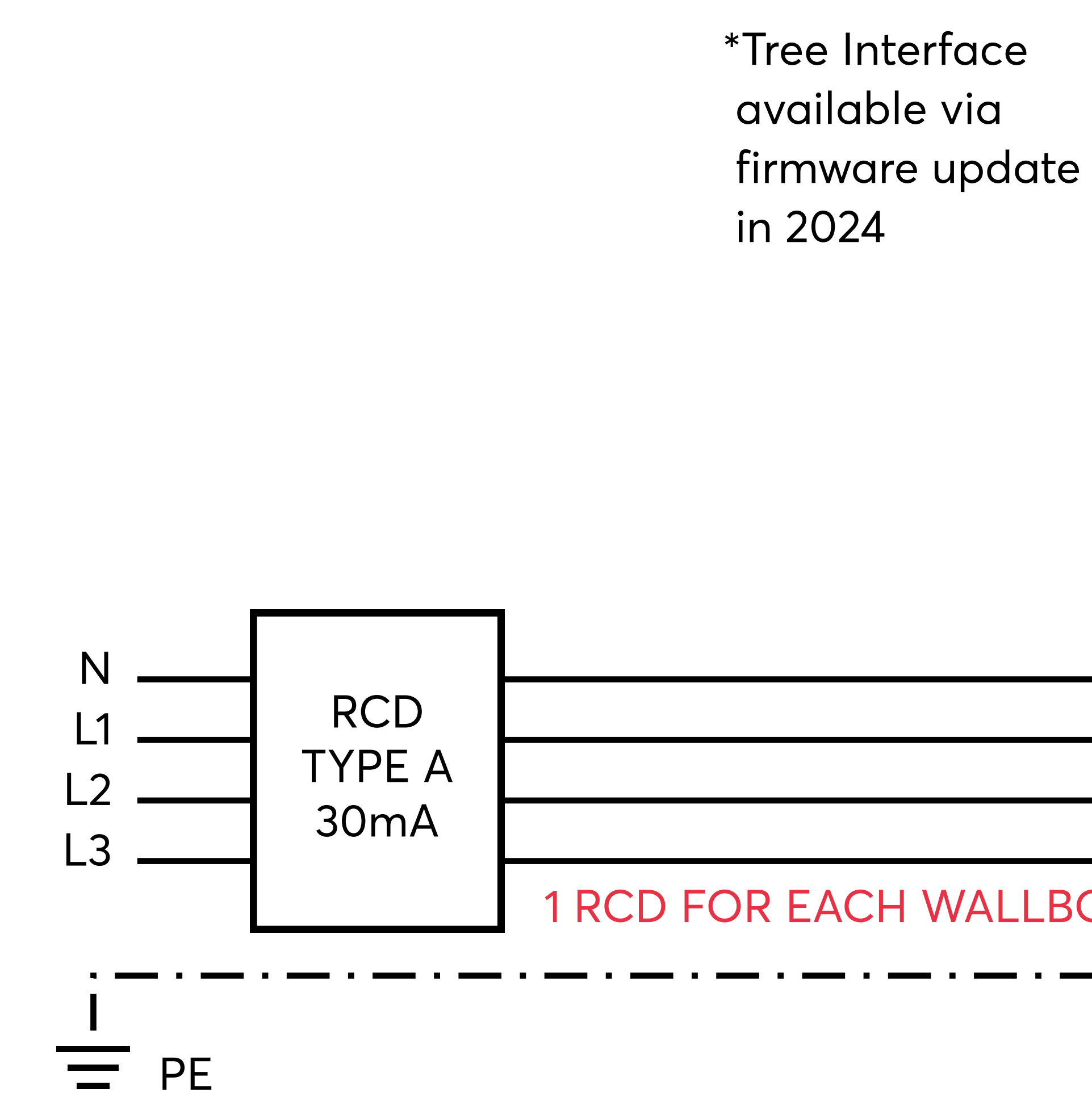
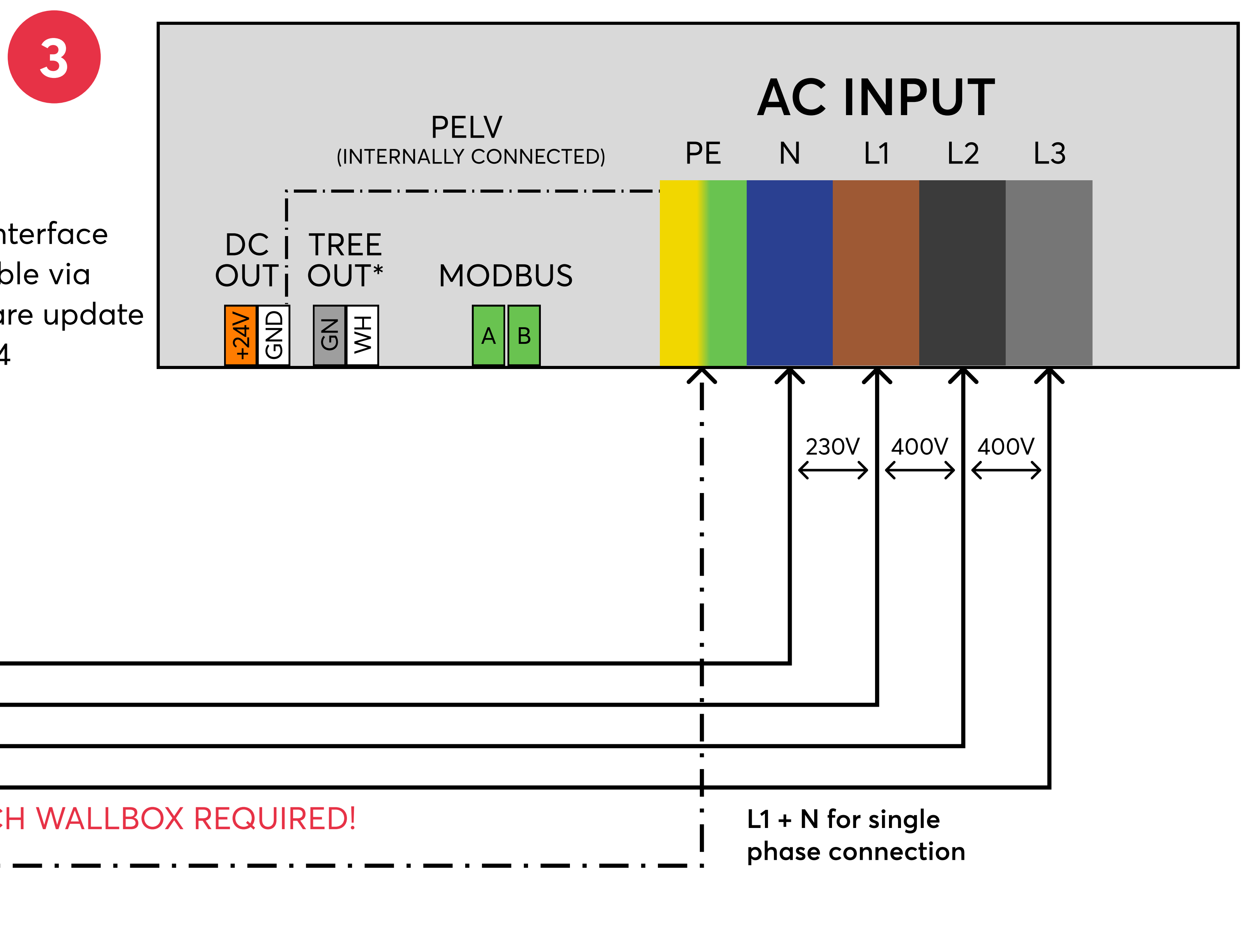
# Wallbox 11kW

# 16A Air

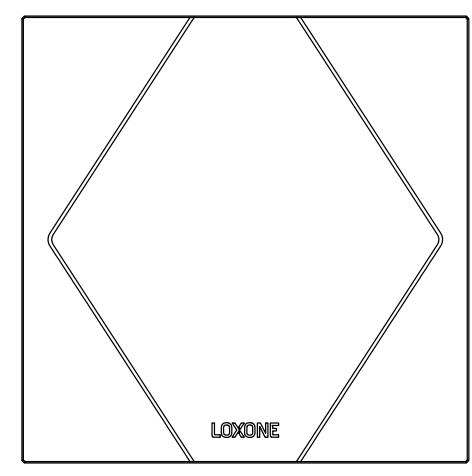
PART NO.: 100527



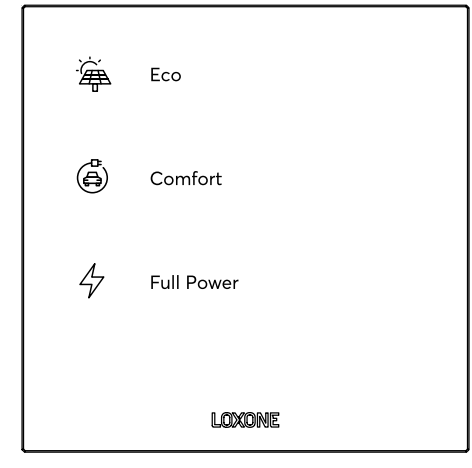
## ELECTRICAL CONNECTION



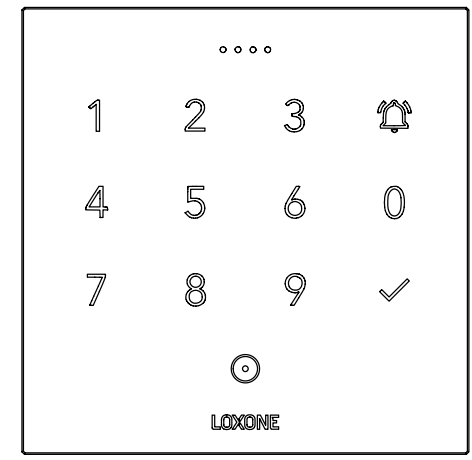
**OPTIONAL**



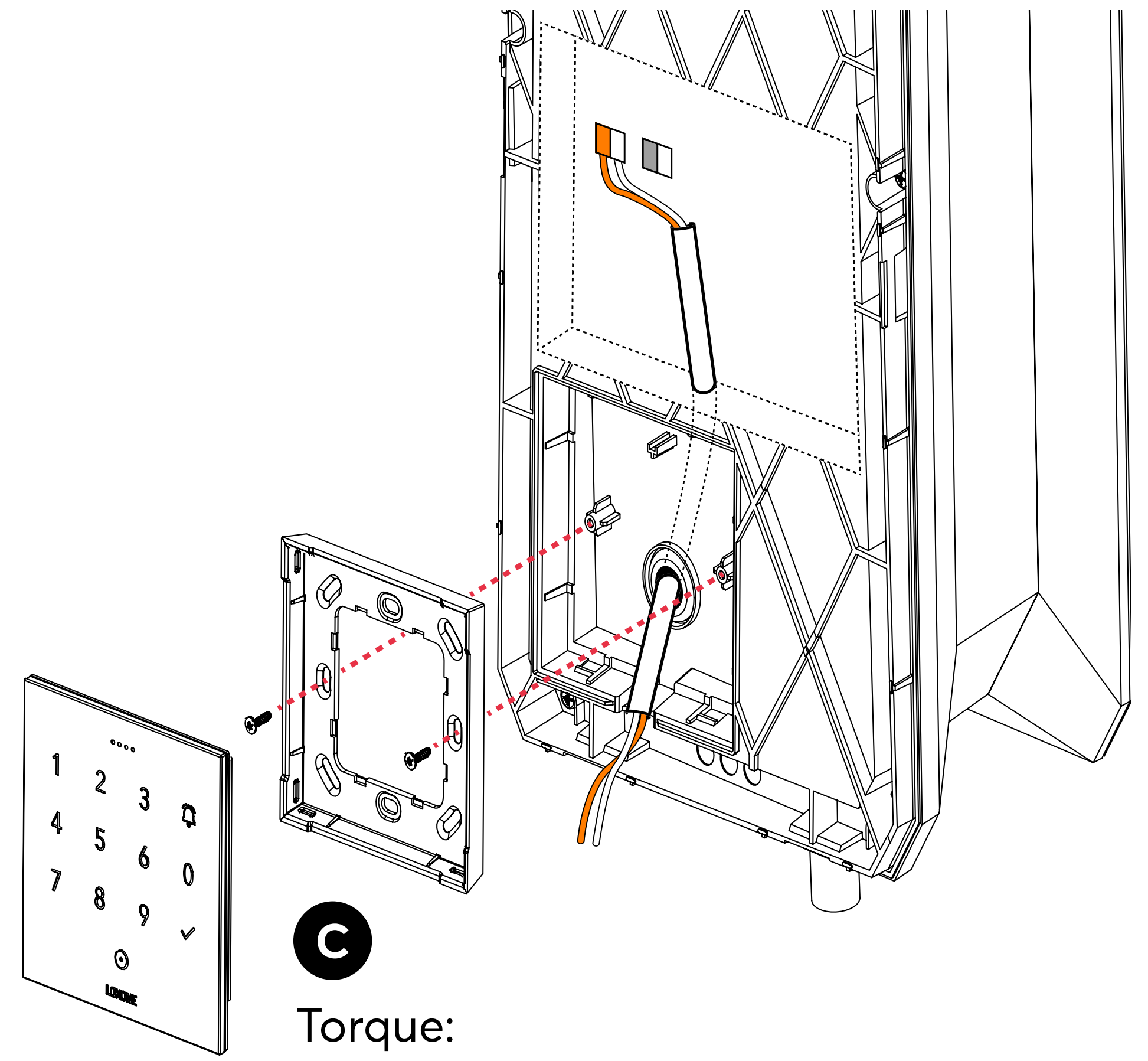
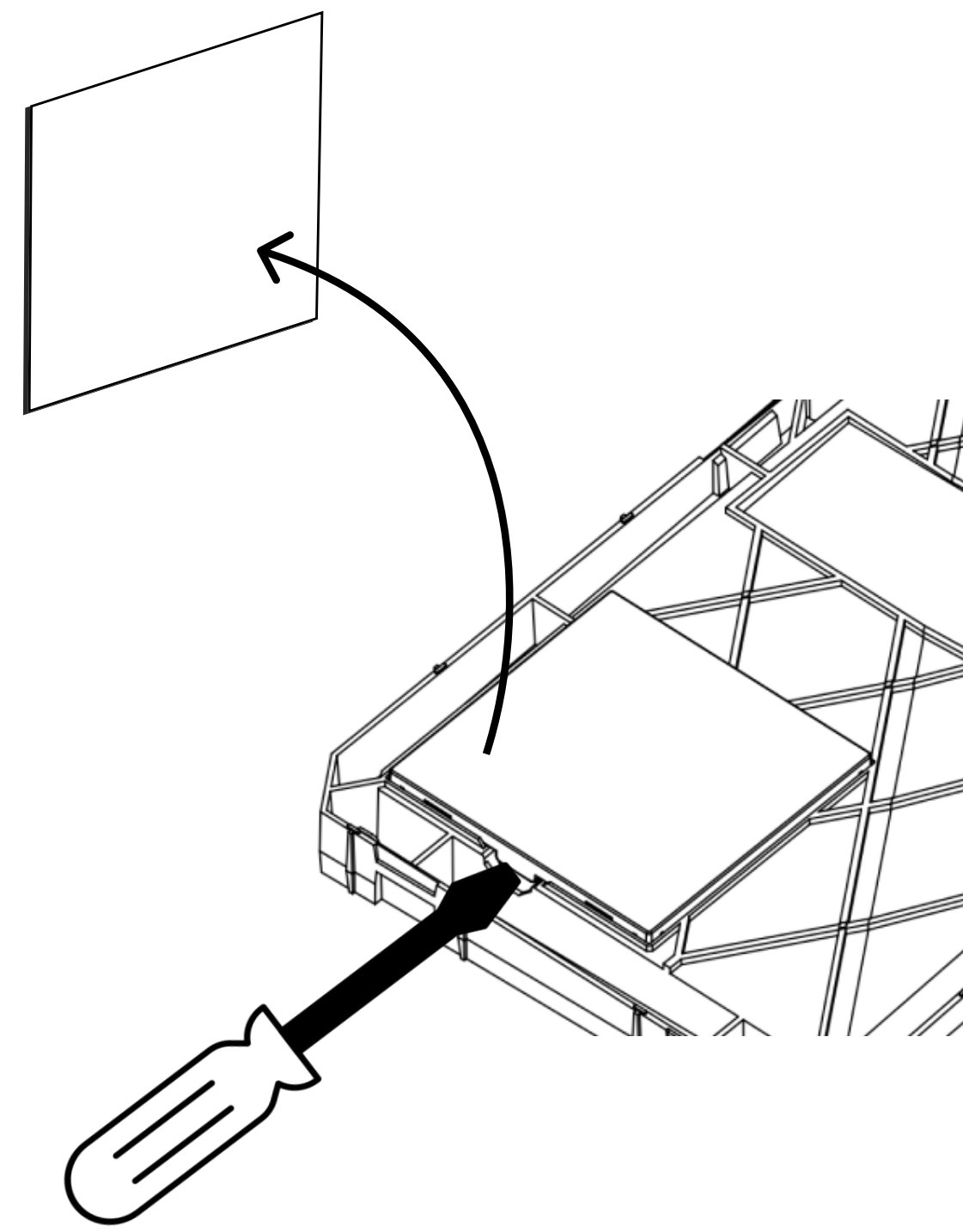
TOUCH  
PURE AIR



TOUCH  
PURE FLEX  
AIR



NFC CODE  
TOUCH AIR



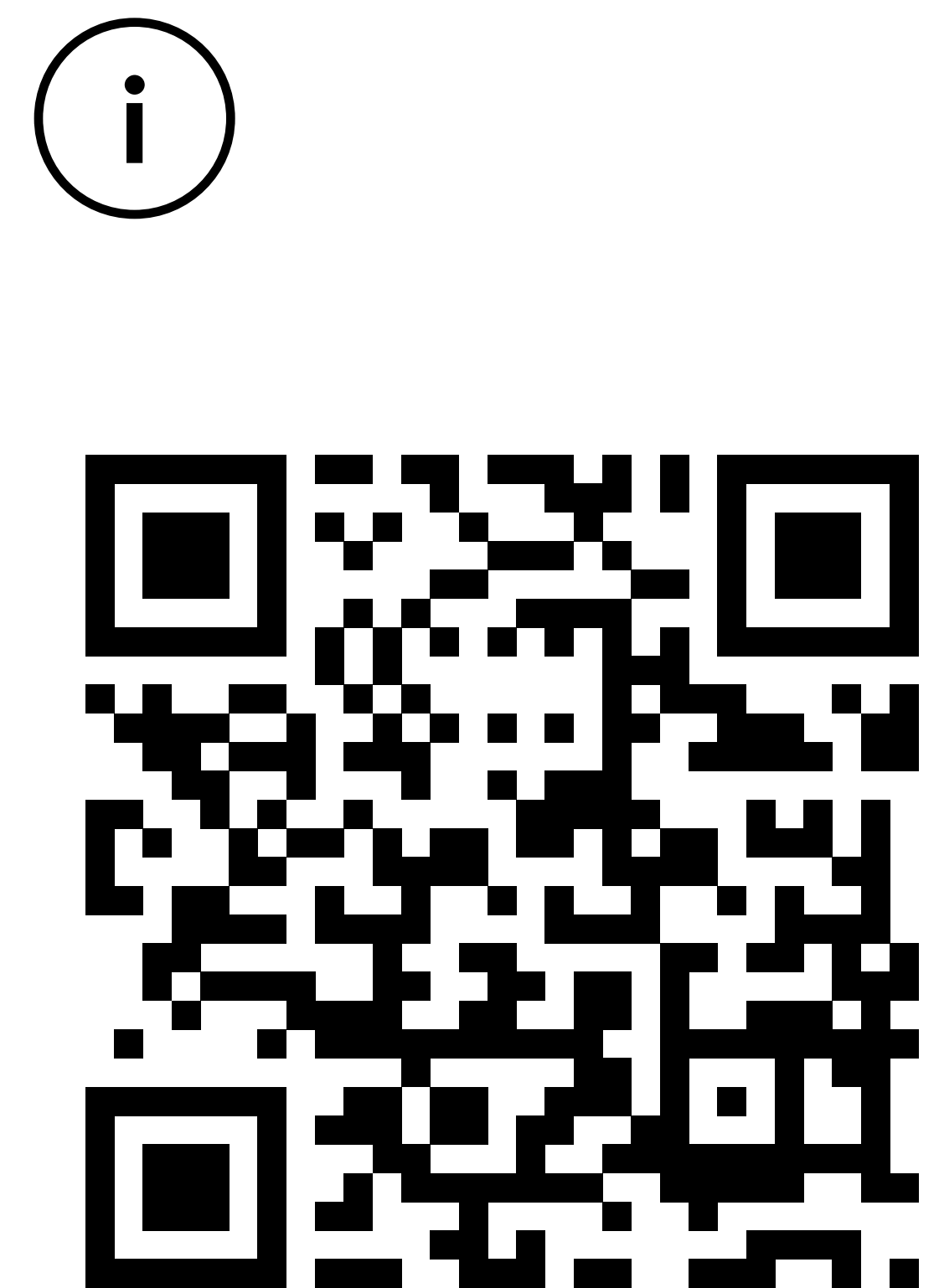
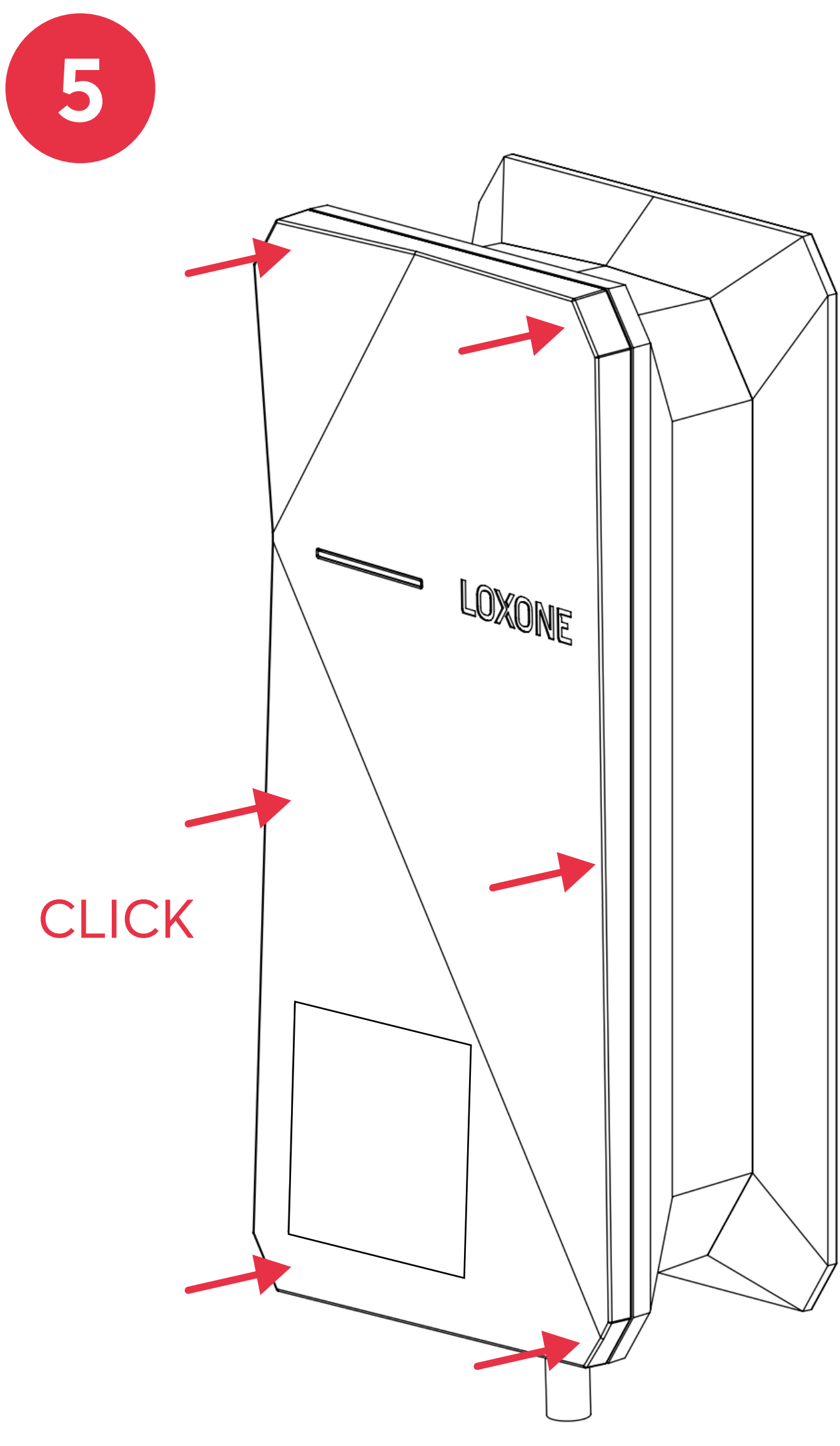
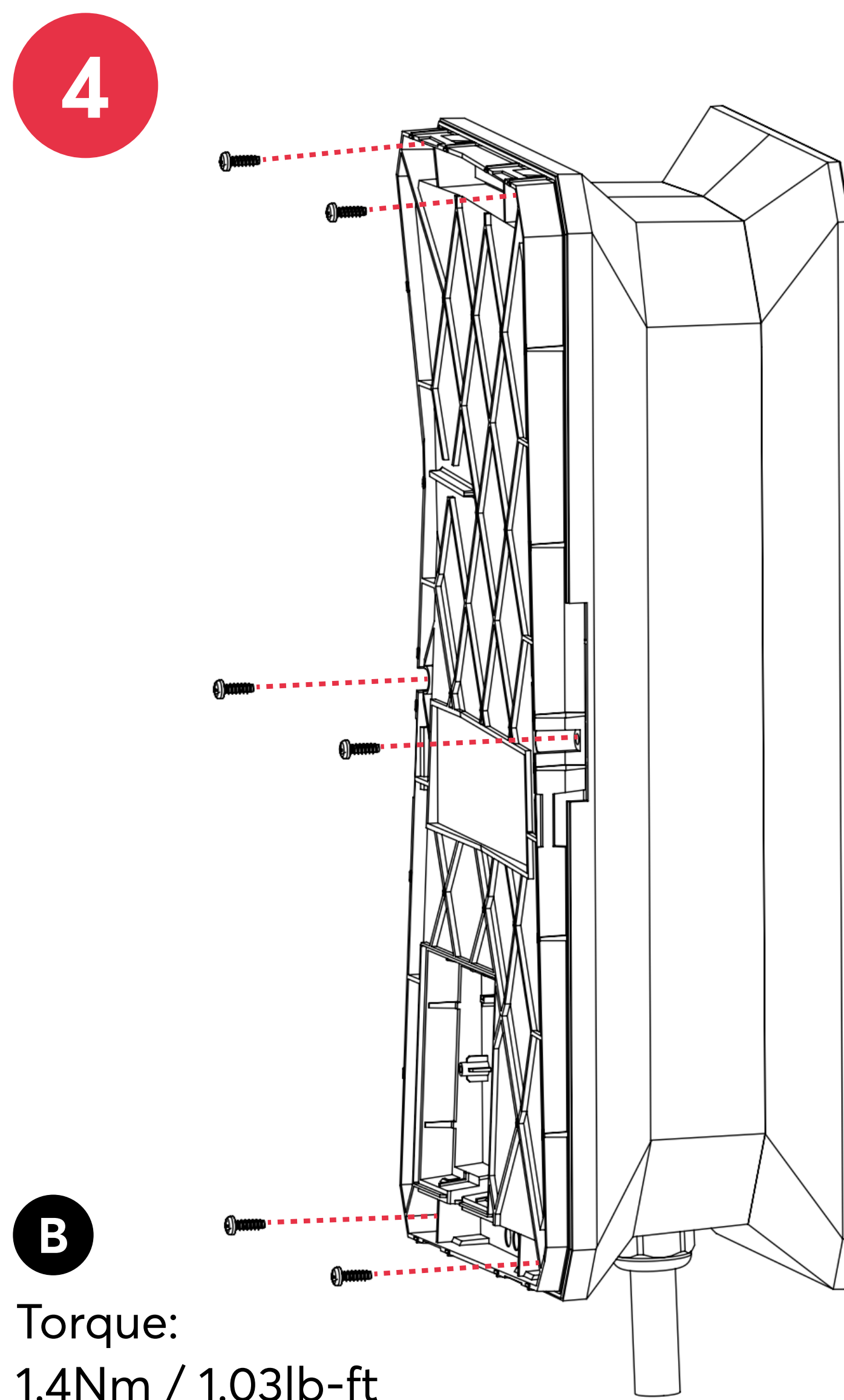
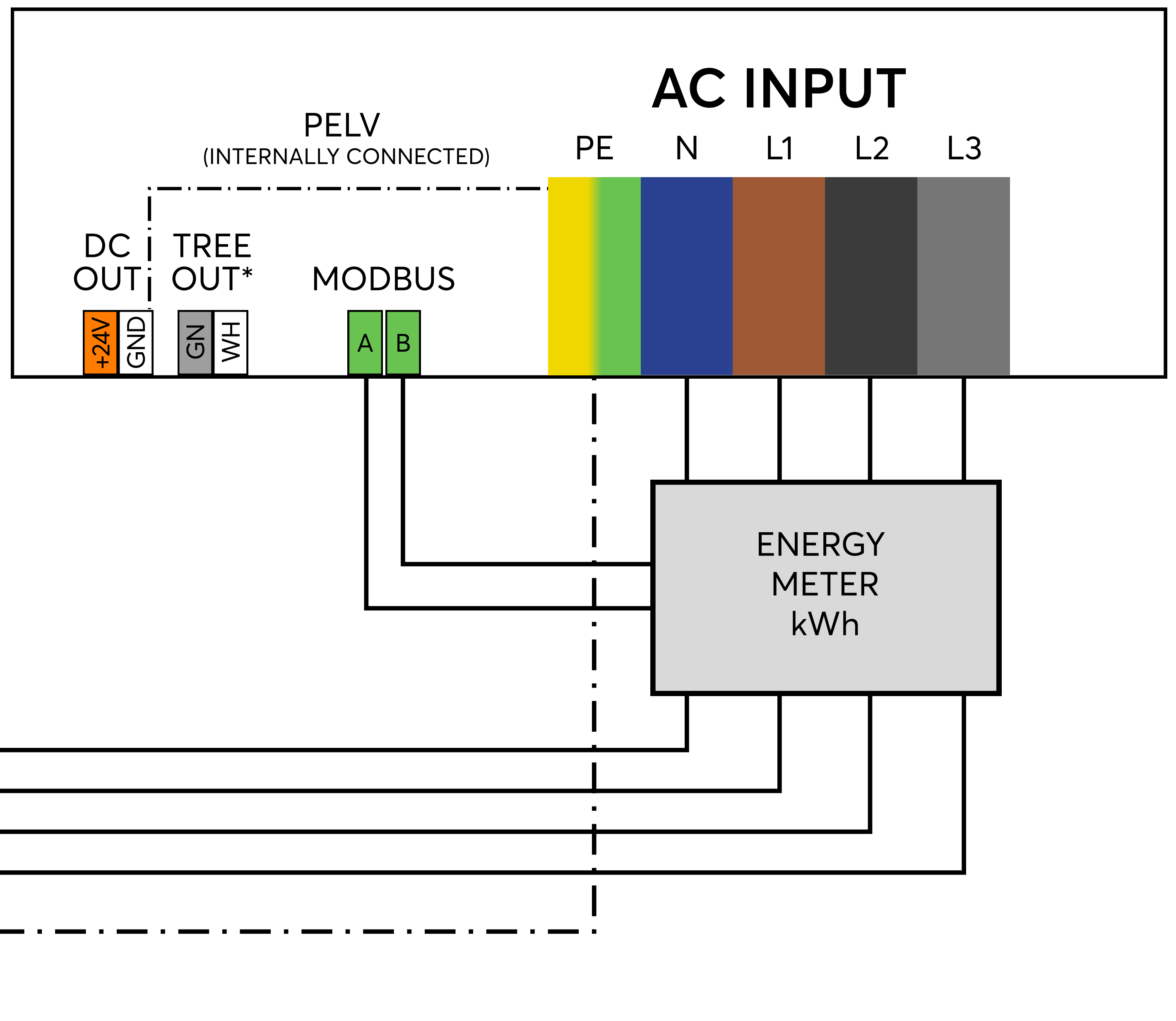
**C**  
Torque:  
0.8Nm / 0.59lb-ft

**OPTIONAL**

A LOXONE  
ENERGY METER IS  
RECOMMENDED!

PART NO.: 200157

\*Tree Interface  
available via  
firmware update  
in 2024



FOR MORE INFORMATION  
ABOUT THIS PRODUCT,  
PLEASE VISIT  
**LOXONE.COM/HELP/  
WALLBOX-AIR**