



WEVER & DUCRÉ  
LIGHTING

# SQUBE

## on base 1.0 PAR16

144220B0

Project
Type
Notes
Quantity
Date

### GENERAL

Ceiling  
 Surface  
 Jet Black  
 IP20  
 Interior  
 420<sup>a</sup>, 455<sup>b</sup>, 460<sup>c</sup> lm  
 9005<sup>d</sup>

### LED

Lamp PAR16  
 PAR16  
 Socket GU10  
 max. 12 W  
 L70 / 50000 h

### OPTICAL

Beam angle 47°

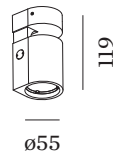
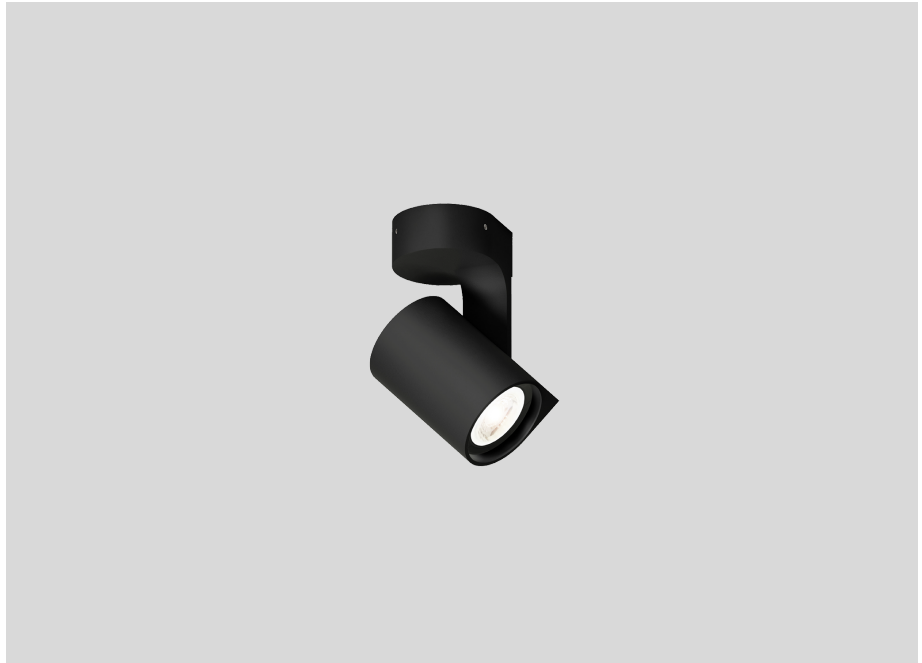
### PHYSICAL

Diameter 55 mm  
 Height 119 mm  
 0.43 kg  
 Tilt min 90°  
 Tilt max 90°

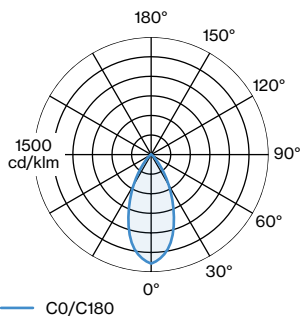
### ELECTRICAL

100 - 240 V  
 Total connected power 6.6<sup>c</sup>, 6.7<sup>b</sup>, 7.7<sup>a</sup>  
 W  
 PC1  
 Safety distance 0.3 m

- <sup>a</sup> LED 1800-2850K CRI 90 silver
- <sup>b</sup> LED 3000K CRI 80 white
- <sup>c</sup> LED 2700K CRI 80 white
- <sup>d</sup> RAL Palette colors may deviate slightly due to production conditions.



### LIGHT DISTRIBUTION





**WEVER & DUCRÉ**  
LIGHTING

# SQUBE

## on base 1.0 PAR16

144220B0

### CONE DIAGRAM

LED 3000K CRI ≥ 80<sup>+</sup>white

h (m)	EO° (lx)	ø (m)
1	635	0.88
2	159	1.75
3	70	2.63
4	39	3.50
5	25	4.38

### LED LAMPS

#### PAR16 LED Lamp

TYPE	COLOUR	Ø · H (MM)	ORDERCODE
2700K   >90 CRI   GU10	Jet Black	ø50 · 58	9 0 1 2 2 8 B 3
3000K   >90 CRI   GU10	Jet Black	ø50 · 58	9 0 1 2 2 8 B 5
2700K   >80 CRI   GU10	Signal White	ø50 · 58	9 0 1 2 2 8 W 2
2700K   >90 CRI   GU10	Signal White	ø50 · 58	9 0 1 2 2 8 W 3
3000K   >80 CRI   GU10	Signal White	ø50 · 58	9 0 1 2 2 8 W 4

#### PAR16 LED Lamp | Ambient

TYPE	Ø · H (MM)	ORDERCODE
1800-2850K   >90 CRI   GU10	ø50 · 58	9 0 1 2 2 9 S 9