



WEVER & DUCRÉ
LIGHTING

ROOMOR TABLE 1.1

637120BK1

Project

Type

Notes

Quantity

Date

GENERAL

Table , Standing

Tilt max 45°

Rotation 30°

Black Matt

Mounting Black Matt

RAL 9005^a

Shade Black Matt + Gold

IP20

Interior

Output: 450^b, 465^c lm

CIE flux code: 94 98 100 100 97

LED

Lamp PAR16

Socket GU10

max. per socket 15.0 W

CRI ≥ 90

OPTICAL

Shade 1.0 ,

ELECTRICAL

100 - 240 V

LED Inset 6.5 W

Class 1

PHYSICAL

Diameter 220 mm

Height 600 mm

2.35 kg

cable plug with hand switch

^a Color may deviate slightly due to production conditions.

^b PAR16 LAMP 2700K CRI90

^c PAR16 LAMP 3000K CRI90

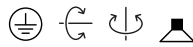
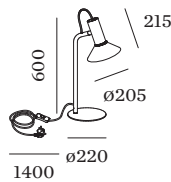
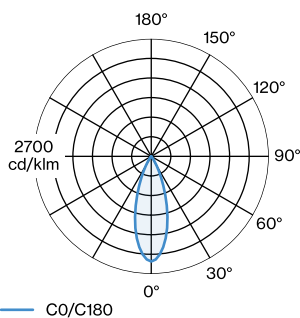


Table luminaire made from aluminium; surface Black Matt wet painted; matt texture; RAL 9005; cable plug with hand switch; shade Black Matt + Gold ; wet painted; matt texture; lamp socket GU10; lamp type PAR16; max. 15W; 100 - 240 V; 30° rotatable and 45° tiltable; degree of protection IP20; PC1; lamp not included;



LIGHT DISTRIBUTION





WEVER & DUCRÉ
LIGHTING

ROOMOR TABLE 1.1

637120BK1

LAMPS

PAR16 LED Lamp

TYPE	COLOUR	Ø·H (MM)	ORDERCODE
2700K >90 CRI GU10	Black	∅50·60	9 0 1 2 2 8 B 3
3000K >90 CRI GU10	Black	∅50·60	9 0 1 2 2 8 B 5
2700K >90 CRI GU10	White	∅50·60	9 0 1 2 2 8 W 3
3000K >90 CRI GU10	White	∅50·60	9 0 1 2 2 8 W 5
2700K >80 CRI GU10	Silver	∅50·60	9 0 5 2 2 7 S 2
3000K >80 CRI GU10	Silver	∅50·60	9 0 5 2 2 7 S 4