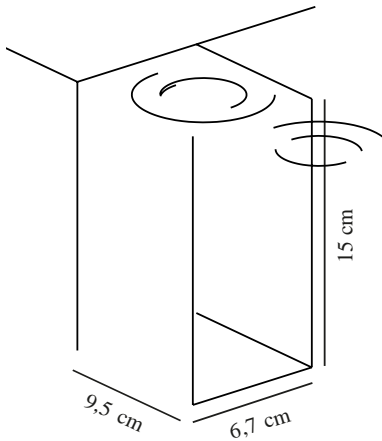
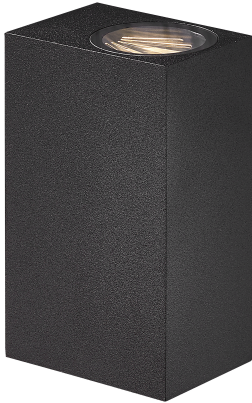


ASBOL KUBI | WALL LIGHT | BLACK

2019071003

nordlux®



Voltage (V): 230 Volt
IP degree: IP44
Class (Class 1, Class 2, Class 3):
Class 1 (Earth contact)
Socket type: LED Module
Parallel connection: True

Primary material: Aluminium
Secondary material: Glass
Colour of the glass: Clear
Suitable for Seaside: False
Colour: Black

Height (cm): 15
Width (cm): 6.7
Projection (cm): 9.5
EAN: 5704924000652
TUN: 2085850
Item Number: 2019071003
Pcs Per Master Carton: 6
Sales Box Height (cm): 15.5

Sales Box Width(cm): 7.2
Sales Box Depth (cm): 9.7
Sales Box Volume m³ : 0.0011
Product net weight (kg): 0.95

Brightness of light (Lumen): 350
Colour temperature (Kelvin): 3000
Ra-value : 80
Lifetime (hours): 20000
Beam angle (°) : 120
Energy class: F
Actual watt (W): 13.3

- Three light effects included • High lumen output (2x350 lumen) • 5-year LED guarantee
- Built-in parallel connection • 5-year LED guarantee

Asbol Kubi is a minimalistic wall lamp with an elegant cubic shape for indoor and outdoor use. The lamp provides both upward and downward light, and simultaneously you can design your own light by using the three included light patterns. Asbol has integrated LED and can be connected in parallel, making the lamp extremely functional.

Asbol kubi is made of black lacquered aluminium and has many applications. Welcome your guests with a beautiful light at the front door or driveway or place it indoors in the hallway or bathroom.

ENERG

Nordlux
2019071003

A
B
C
D
E
F
G

13
kWh/1000h

2019/2015