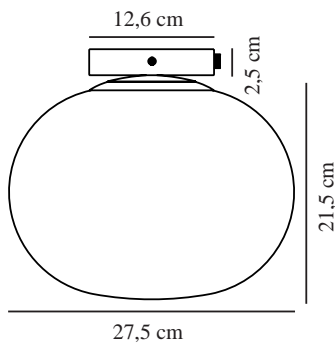


# ALTON 27,5 | CEILING LIGHT | BRASS

2010506001

nordlux®



Voltage (V): 220-240 Volt  
IP degree: IP20  
Maximum bulb wattage (W): 25W  
Class (Class 1, Class 2, Class 3):  
Class 2 (Double isolated)  
Socket type: E27

Primary material: Glass  
Secondary material: Metal  
Colour of the glass: Opal white  
Colour of the cable: White  
Surface material of the cable:  
Textile  
Is the cable replaceable: False  
Colour: Brass

Height (cm): 24  
Shade Diameter (cm): 27.5  
Shade Height (cm): 21.5  
EAN: 5704924001062  
TUN: 2100554  
Item Number: 2010506001  
Pcs Per Master Carton: 3

Sales Box Height (cm): 29  
Sales Box Width(cm): 29  
Sales Box Depth (cm): 29  
Sales Box Volume m<sup>3</sup> : 0.0244  
Product net weight (kg): 2.11

## • Contemporary art deco style • Mouth blown glass and exclusive details

Use warm, golden tones to contrast the Nordic minimalism. The Alton series creates a beautiful unison between the simple opal white glass and the fine brushed brass details. The warm metals are still hot in decor, and the combined brass and glass give the series a graceful appearance and complement each other in the finest of manners.

Alton ceiling lamp is an exceptional beauty, combining the stunning white opal glass and exclusive brass in a highly compelling way. For example, use the ceiling lamp in your entrance and welcome your guests with a soft glare-free light and cosy atmosphere.

The glass in this lamp is mouth-blown and has been individually hand crafted. Due to this unique process, air bubbles may appear in the glass and the thickness of the glass can also vary. This gives the glass its character and vivid appearance.